

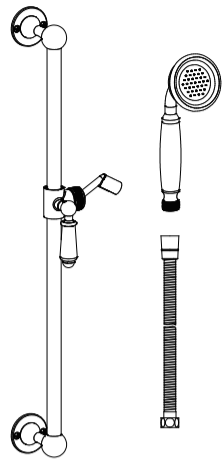
USER MANUAL



Thank you for choosing Better Bathrooms.
Please read this manual before installing your product
and keep for future reference

better
bathrooms

Product name - Traditional Slide Rail Kit with Handset
Product code - BeBa_26746



Congratulations on your purchase

And welcome to our growing gang of savvy shoppers

We're on a mission to bring you extraordinary bathroom products, for less. From modern to traditional style ceramics, plus the gorgeous fixtures, fittings and furniture to match. So, you can fall in love with your space every single day.

As one of the UK's largest independent bathroom stores, we've received countless awards; including the National Business Awards UK, the Digital Entrepreneur Awards and being placed on The Sunday Times Fast Track 100.

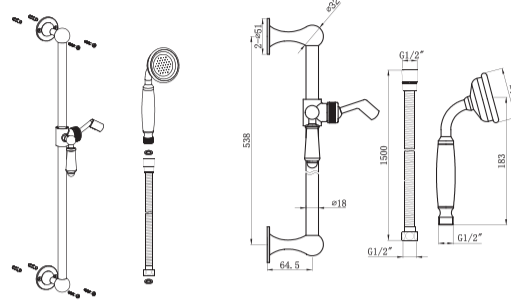
We hope your new product exceeds your highest expectations. However, if you experience any problems, please:

- log in to your account and contact our customer services team via your self-serve portal-betterbathrooms.com/CustomerAccount/Login.
- contact us via-betterbathrooms.com/content/contact-us.

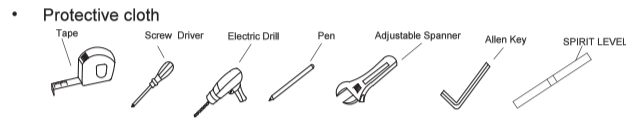
Important information

- Please read these instructions thoroughly and retain for future reference
 - Always ensure to flush the system prior to installation.
- Always check the wall before drilling to ensure no pipes or cables can be damaged

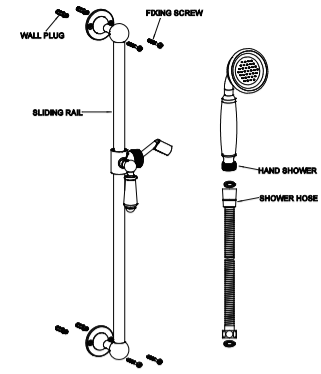
Parts / Diagrams



Tools required



Installation



1. Locate the rail on the wall ensuring that when the hand shower is at its highest point the hose is not under tension, also ensuring the rail is vertical using a spirit level.
2. Once this is done, place the wall brackets on each of the rail and mark the position of the fixing holes.
3. Drill the wall 8mm dia and to 45mm depth and insert the wall plugs
4. Fit the slider bracket/hand shower holder to the rail ensuring the hand shower holder on the rail has the wider opening facing upwards.
5. The hand shower should be connected to the cone end of the hose, ensuring to fit the seals and the nut end to the mixer, then tighten.

CLEANING

To maintain the surface of your product, wipe with a clean damp cloth and wipe dry. Do not use abrasive cleaning agents or materials which can strip and scratch the surface; the use of these agents or materials can invalidate your guarantee. It is recommended to wipe and dry on a regular basis.

- Single-person assembly
- We always recommend using professional tradespeople to install your product

V2_07.12.2021

For more information

- visit betterbathrooms.com
- email customerservices@buyitdirect.co.uk
- call 03303903062
- write to Trident Business Park, Neptune Way, Huddersfield, HD2 1UA.

better
bathrooms

Part of the BuyItDirect Group